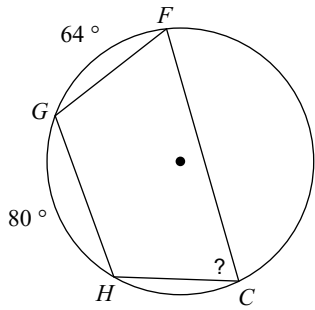


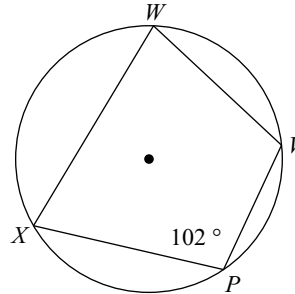
Inscribed Quadrilaterals

Find the measure of the arc or angle indicated.

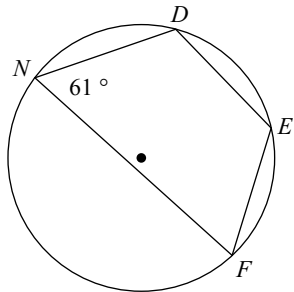
1)



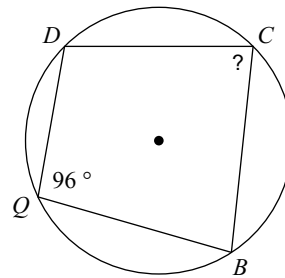
2) Find $m\widehat{XWV}$



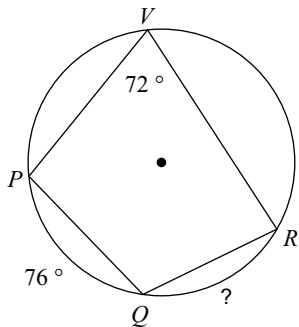
3) Find $m\widehat{DF}$



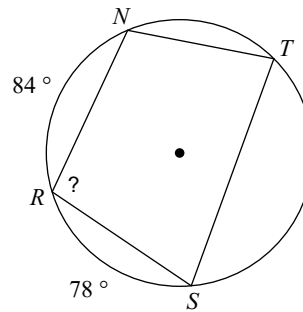
4)



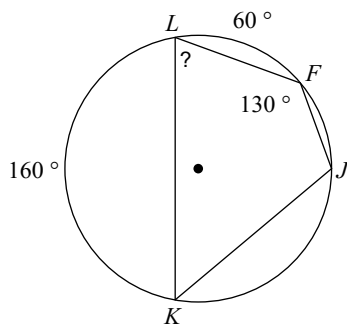
5)



6)



7)



8)

