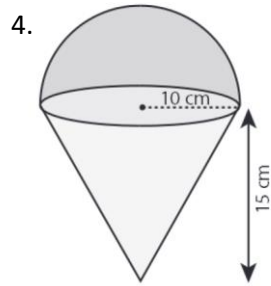
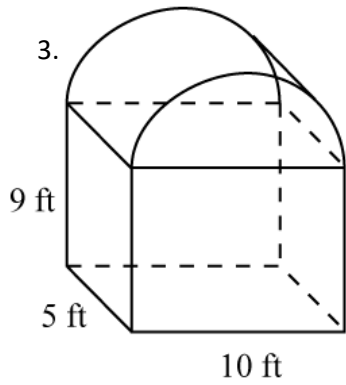
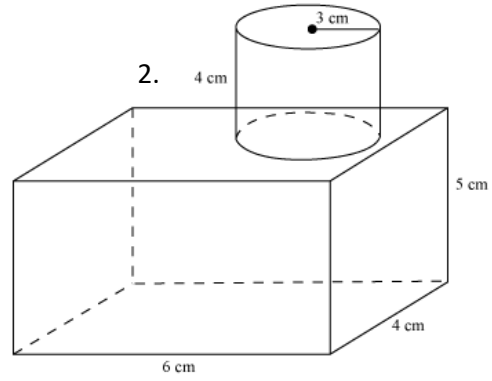
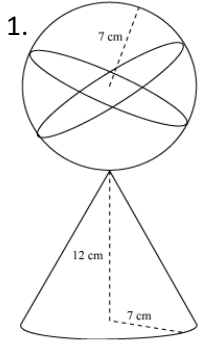
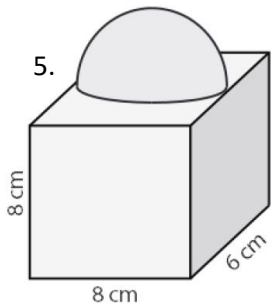


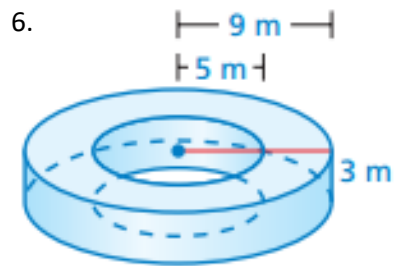
Find the composite volume.



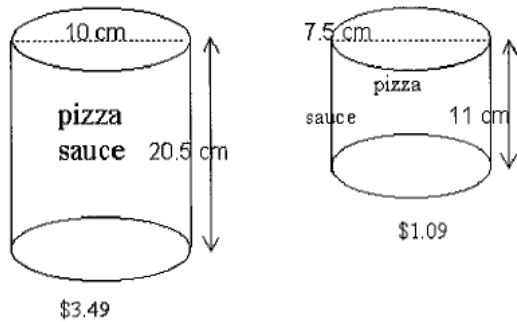
Volume = \_\_\_\_\_



Volume = \_\_\_\_\_



4. a. If Blaine wants to know which tomato sauce he should buy for the best price. Which one is cheaper per  $\text{cm}^3$ ?



b. If Blaine is going to cover a 12 inch pizza with sauce which one will cover the whole pizza if he normally covers it with 2 cm high with sauce? Explain.

**14. KICKBOARD** A foam kickboard used for swimming has two identical hand grips.

- a. Find the volume of the kickboard.
- b. One cubic inch of foam weighs about 0.007 pound. How much does the kickboard weigh?

